

LISTA REZERVNIH DELOV / LISTE DER ERSATZTEILE / SPARE PARTS LIST – Vitel/Winde/Winch KRPAN 6ER

Ser.: VM01300015 →

Ser.: VM01400015 →

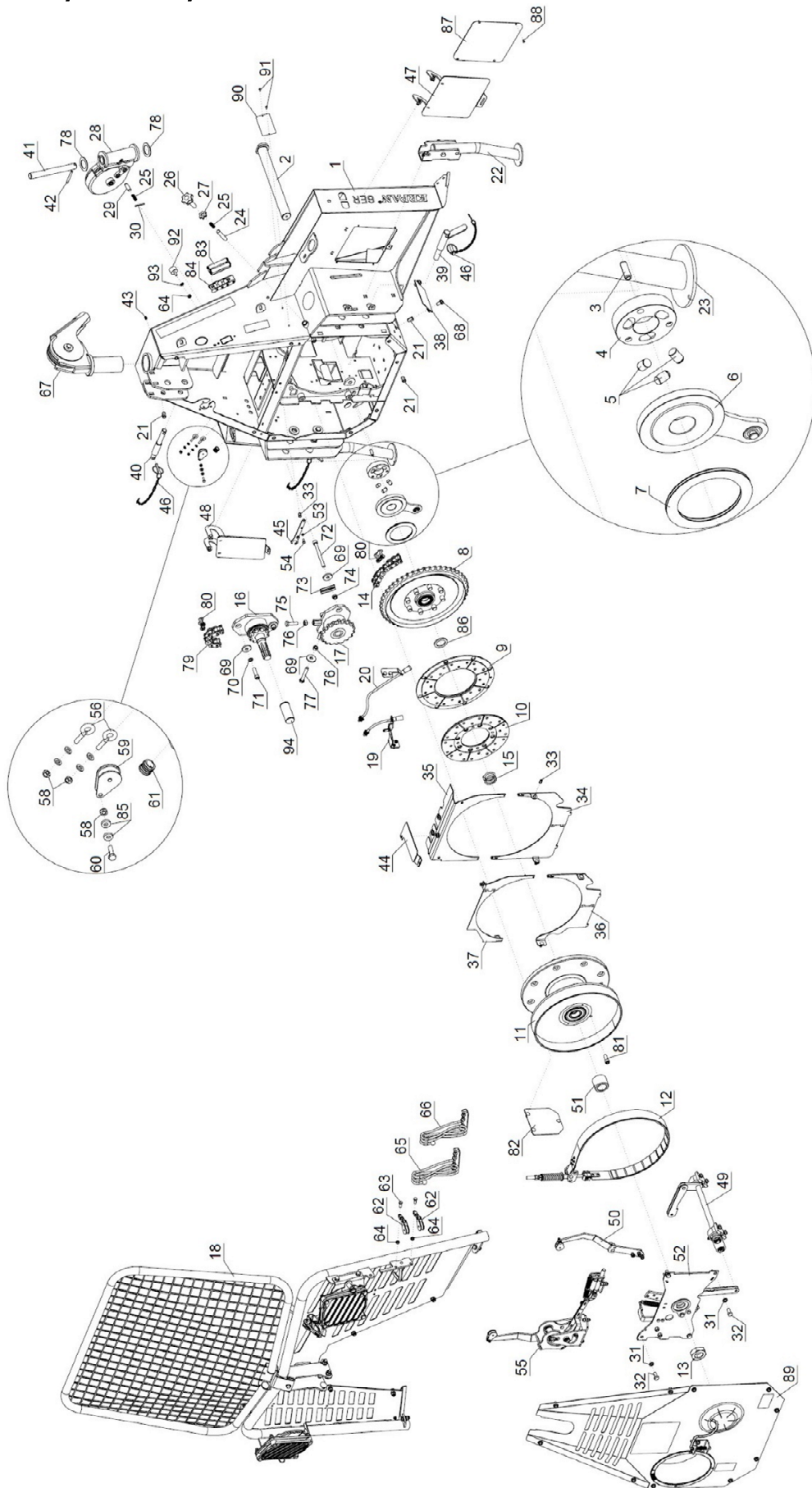
Info: <http://www.vitli-krpan.com/>

Vsebina / Inhalt / Contents

| | | |
|------|--|----|
| 1. | Vitel / Winde / Winch 6ER..... | 3 |
| 1. | Vklopni vzvod / Einschalthebel / Switch Lever..... | 6 |
| 2. | Verižnik / Kettenrad / Chain Wheel..... | 7 |
| 3. | Boben / Trommel / Drum..... | 8 |
| 4. | Zavorni pas / Bremsband / Brake Belt..... | 9 |
| 5. | Pogon zgornji / Antrieb oben / Drive upper..... | 10 |
| 6. | Pogon spodnji / Antrieb unten / Drive lower..... | 11 |
| 7. | Zaščitna mreža / Schutzgitter / Safety Guard..... | 12 |
| 7.1 | Nosilec motorne žage L / Motorsägehalterung L / Chainsaw Holder L..... | 13 |
| 7.2 | Nosilec motorne žage D / Motorsägehalterung R / Chainsaw Holder R..... | 14 |
| 7.3 | Nosilec kanistra / Kanisterhalter / Canister holder..... | 15 |
| 8. | Mazalni sistem I / Schmiersystem I / Lubrication system I..... | 16 |
| 9. | Mazalni sistem II / Schmiersystem II / Lubrication system II..... | 17 |
| 10. | Podporna noga / Stützfuß / Support Leg..... | 18 |
| 11. | Spodnji škripec / Untere Umlenkrolle / Bottom winch pulley..... | 19 |
| 12. | Zaščita I / Schutz I / Protection I..... | 20 |
| 13. | Zaščita II / Schutz II / Protection II..... | 21 |
| 14. | Zaščita III / Schutz III / Protection III..... | 22 |
| 15. | Zaščita IV / Schutz IV / Protection IV..... | 23 |
| 16. | Pokrov zaboja L / Kastendeckel L / Box Cover L..... | 24 |
| 17. | Pokrov zaboja D / Kastendeckel R / Box Cover R..... | 25 |
| 18. | Vzvodovje sklopke / Kupplungsmechanismus / Clutch mechanism..... | 26 |
| 19. | Vzvod sklopke / Kupplungshebel / Clutch lever..... | 27 |
| 20. | Pokrov jedra / Kernabdeckung / Core Cover..... | 28 |
| 20.1 | Vzvod I / Hebel I / Lever I..... | 29 |
| 21. | Mehanizem zavore / Bremsmechanismus / Brake Mechanism..... | 30 |
| 21.1 | Avtomat / Automat / Machine..... | 31 |
| 22. | Zgornji škripec / Obere umlenkrolle / Upper winch pulley..... | 32 |

| | | |
|------|--|----|
| 23. | Zaščita V / Schutz V / Protection V..... | 33 |
| 24. | Škripec I / Windenrolle I / Winch pulley I..... | 34 |
| 25. | Škripec II / Windenrolle II / Winch pulley II..... | 35 |
| 26. | Sprednja zaščita / Frontschutz / Front guard..... | 36 |
| 26.1 | Nosilec kardana / Kardanhalter / PTO shaft holder..... | 37 |

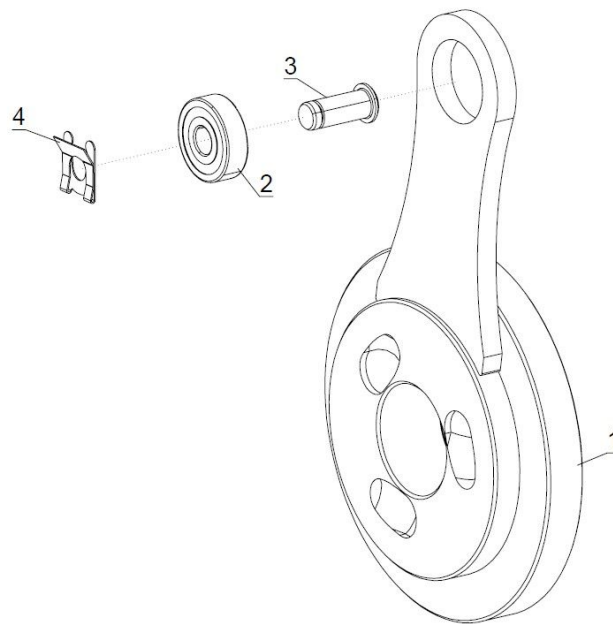
1. Vitel / Winde / Winch 6ER



| 300018281 Vitel 6ER | | | Winde 6ER | Winch 6ER |
|---------------------|-------------------------------------|-------------------|----------------------|-----------------------|
| Poz. | Šifra/Code | Opis | DE | EN |
| 1 | 300017360 | Ohišje | Gehäuse | Housing |
| 2 | 300018730 | Os | Achse | Axle |
| 3 | 200008723 | Zatič | Stift | Pin |
| 4 | 300018201 | Sklopka | Cupplung | Clutch |
| 5 | 300018203 | Čep | Zapfen | Plug |
| 6 | 300018227 | Vklopni vzvod | Einschalthebel | Switch Lever |
| 7 | 200008710 200008755 200008755 | Ležaj | Lager | Bearing |
| 8 | 300022443 | Verižnik | Kettenrad | Chain wheel |
| 9 | 300017579 | Sklopka velika | Kupplung gross | Clutch big |
| 10 | 300017578 | Sklopka mala | Kupplung klein | Clutch small |
| 11 | 300017596 | Boben | Trommel | Drum |
| 12 | 300018257 | Zavorni pas | Bremsband | Brake Belt |
| 13 | 200008089 | Matica | Mutter | Nut |
| 14 | 200010757 | Veriga | Kette | Chain |
| 15 | 200000103 | Vzmet | Feder | Spring |
| 16 | 300019035 | Pogon zgornji | Antrieb oben | Drive upper |
| 17 | 300017589 | Pogon spodnji | Antrieb unten | Drive lower |
| 18 | 300017597 | Zaščitna mreža | Schutzgitter | Safety Guard |
| 19 | 300017560 | Mazalni sistem I | Schmiersystem I | Lubrication system I |
| 20 | 300017561 | Mazalni sistem II | Schmiersystem II | Lubrication system II |
| 21 | 200009103 | Matica | Mutter | Nut |
| 22 | 300017549 | Podporna noga | Stüzfuss | Support Leg |
| 23 | 300017549 | Podporna noga | Stüzfuss | Support Leg |
| 24 | 300017491 | Sornik | Bolzen | Pin |
| 25 | 200009639 | Vzmet | Feder | Spring |
| 26 | 200009615 | Vijak | Schraube | Screw |
| 27 | 300008593 | Matica | Mutter | Nut |
| 28 | 300017559 | Spodnji škripec | Untere Umlenkrolle | Bottom winch pulley |
| 29 | 300017487 | Sornik | Bolzen | Pin |
| 30 | 200002574 | Razcepka | Splinte | Cotter Pin |
| 31 | 200003777 | Podložka | Unterlegscheibe | Washer |
| 32 | 200000413 | Vijak | Schraube | Screw |
| 33 | 200009099 | Matica | Mutter | Nut |
| 34 | 300019966 | Zaščita I | Schutz I | Protection I |
| 35 | 300019965 | Zaščita II | Schutz II | Protection II |
| 36 | 300019964 | Zaščita III | Schutz III | Protection III |
| 37 | 300019963 | Zaščita IV | Schutz IV | Protection IV |
| 38 | 300017407 | Pokrov | Deckel | Cover |
| 39 | 300007154 | Sornik | Bolzen | Pin |
| 40 | 300000562 | Sornik | Bolzen | Pin |
| 41 | 300017486 | Sornik | Bolzen | Pin |
| 42 | 200009449 | Zatič | Stift | Pin |
| 43 | 200000602 | Mazalka | Schmiernippel | Lubrication Nipple |
| 44 | 300020072 | Zaščita | Schutz | Protection |
| 45 | 300018217 | Ključ | Schlüssel | Wrench |
| 46 | 200001045 | Zatič | Stift | Pin |
| 47 | 300019117 | Pokrov zaboja L | Kastendeckel L | Box Cover L |
| 48 | 300019481 | Pokrov zaboja D | Kastendeckel R | Box Cover R |
| 49 | 300018234 | Vzvodovje sklopke | Kupplungsmechanismus | Clutch mechanism |
| 50 | 300019969 | Vzvod sklopke | Kupplungshebel | Clutch lever |
| 51 | 300018205 | Puša | Büchse | Bushing |
| 52 | 300018259 | Pokrov jedra | Kernabdeckung | Core Cover |
| 53 | 200000538 | Podložka | Unterlegscheibe | Washer |
| 54 | 200002642 | Vijak | Schraube | Screw |
| 55 | 300018261 | Mehanizem zavore | Bremsmechanismus | Brake Mechanism |
| 56 | 200008995 | Vijak | Schraube | Screw |
| 57 | 200000536 | Podložka | Unterlegscheibe | Washer |

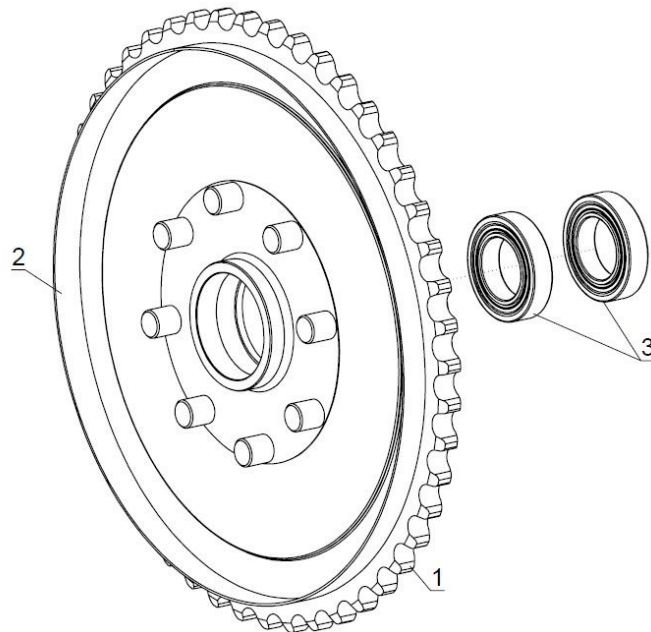
| | | | | |
|----|-----------|------------------|-------------------|----------------------|
| 58 | 200000500 | Matica | Mutter | Nut |
| 59 | 200009815 | Škripec | Windenrolle | Winch pulley |
| 60 | 200000348 | Vijak | Schraube | Screw |
| 61 | 200010270 | Čep | Zapfen | Plug |
| 62 | 200007408 | Škripec | Windenrolle | Winch pulley |
| 63 | 200000361 | Vijak | Schraube | Screw |
| 64 | 200000503 | Matica | Mutter | Nut |
| 65 | 300018266 | Vrv rdeča | Rote Schnur | Red cord |
| 66 | 300018267 | Vrv siva | Graue Schnur | Gray cord |
| 67 | 300018274 | Zgornji škripec | Obere umlenkrolle | Upper winch pulley |
| 68 | 200009040 | Vijak | Schraube | Screw |
| 69 | 300000291 | Podložka | Unterlegscheibe | Washer |
| 70 | 200000551 | Podložka | Unterlegscheibe | Washer |
| 71 | 200003619 | Vijak | Schraube | Screw |
| 72 | 200009097 | Vijak | Schraube | Screw |
| 73 | 300022708 | Držalo | Halterung | Holder |
| 74 | 200000510 | Matica | Mutter | Nut |
| 75 | 200005587 | Vijak | Schraube | Screw |
| 76 | 200000509 | Matica | Mutter | Nut |
| 77 | 200005607 | Vijak | Schraube | Screw |
| 78 | 300017412 | Podložka | Unterlegscheibe | Washer |
| 79 | 200010755 | Veriga | Kette | Chain |
| 80 | 200010773 | Spojni člen | Verbindungsglied | Connecting Link |
| 81 | 200000414 | Vijak | Schraube | Screw |
| 82 | 300021976 | Zaščita V | Schutz V | Protection V |
| 83 | 300018265 | Škripec I | Windenrolle I | Winch pulley I |
| 84 | 300019834 | Škripec II | Windenrolle II | Winch pulley II |
| 85 | 300019551 | Podložka | Unterlegscheibe | Washer |
| 86 | 300007073 | Podložka | Unterlegscheibe | Washer |
| 87 | 300017366 | Pokrov | Deckel | Cover |
| 88 | 200000571 | Kovica | Niet | Rivet |
| 89 | 300018216 | Sprednja zaščita | Frontschutz | Front guard |
| 90 | 200010339 | Tipaska tablica | Typenschild | Identification plate |
| 91 | 200000571 | Kovica | Niet | Rivet |
| 92 | 200004382 | Blažilec | Stoßdämpfer | Shock Absorber |
| 93 | 200000539 | Podložka | Unterlegscheibe | Washer |
| 94 | 200000041 | Zaščita | Schutz | Protection |

1. Vklonni vzvod / Einschalthebel / Switch Lever



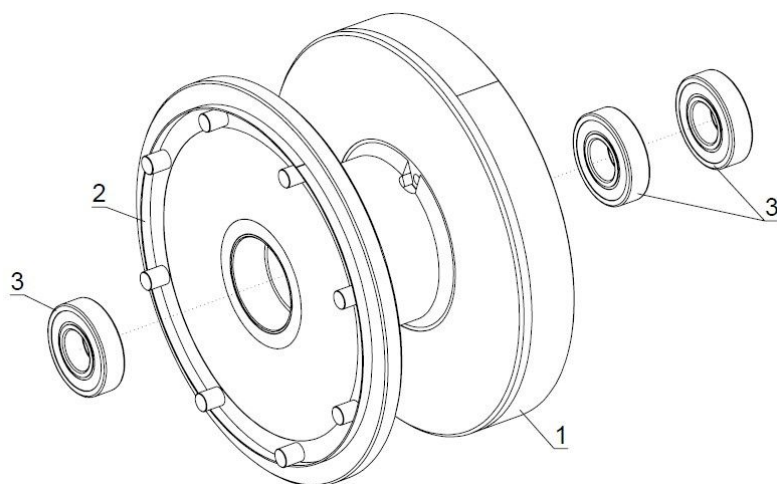
| 300018227 Vklonni vzvod | | | Einschalthebel | Switch Lever |
|-------------------------|------------|----------|----------------|--------------|
| Poz. | Šifra/Code | Opis | DE | EN |
| 1 | 300018226 | Vzvod | Hebel | Lever |
| 2 | 200008016 | Ležaj | Lager | Bearing |
| 3 | 200008333 | Sornik | Bolzen | Pin |
| 4 | 200008334 | Varovalo | Sicherung | Protection |

2. Verižnik / Kettenrad / Chain Wheel



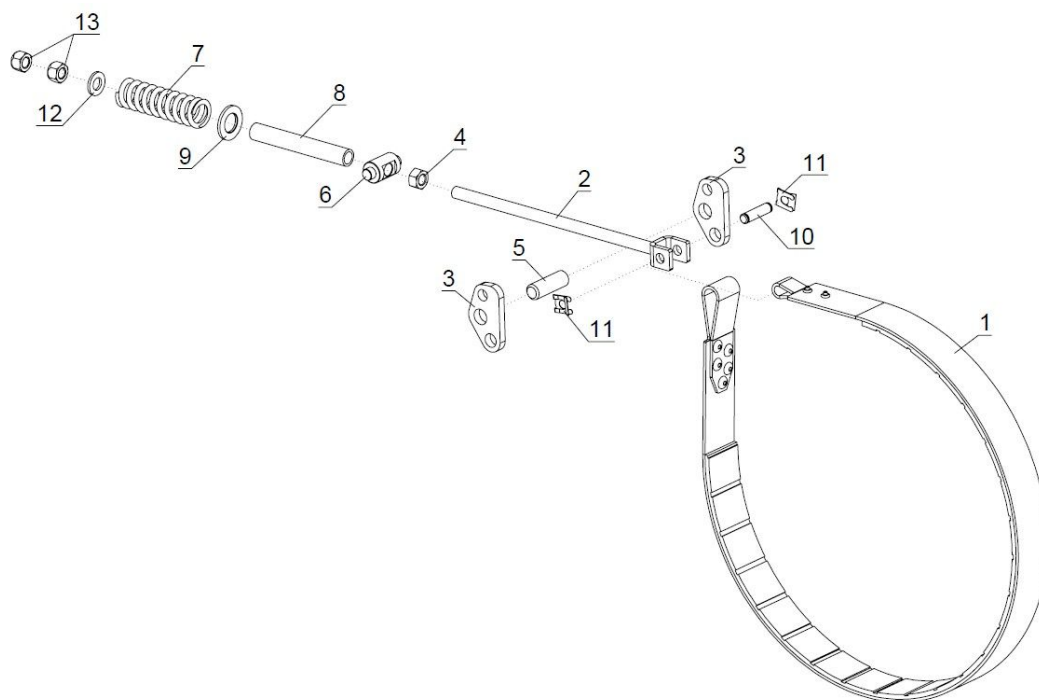
| 300022443 Verižnik | | | Kettenrad | Chain Wheel |
|--------------------|------------|----------|-----------|-------------|
| Poz. | Šifra/Code | Opis | DE | EN |
| 1 | 300022442 | Verižnik | Kettenrad | Chain Wheel |
| 2 | 300017498 | Pasek | Gürtel | Belt |
| 3 | 200000008 | Ležaj | Lager | Bearing |

3. Boben / Trommel / Drum



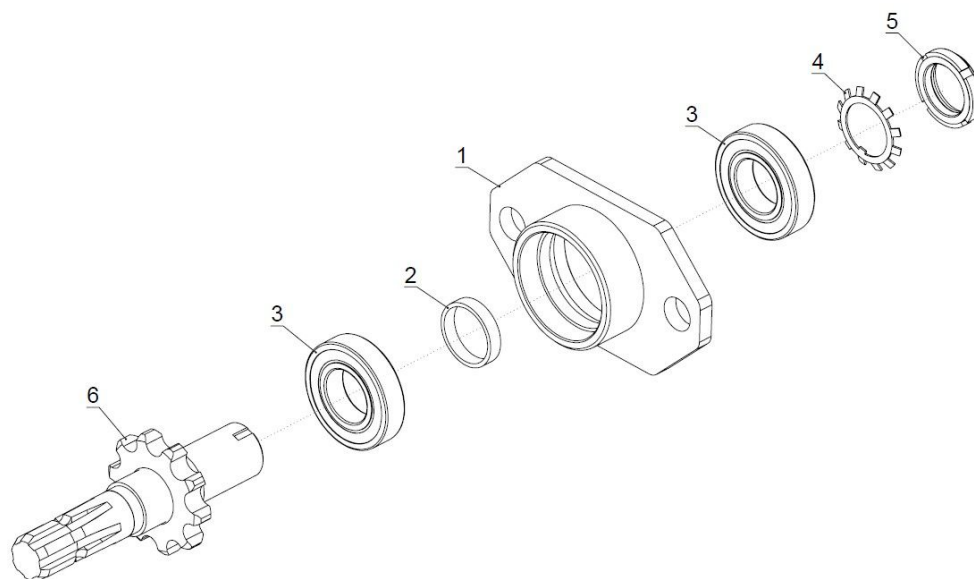
| 300017596 Boben | | | Trommel | Drum |
|-----------------|------------|-------|---------|---------|
| Poz. | Šifra/Code | Opis | DE | EN |
| 1 | 300017595 | Boben | Trommel | Drum |
| 2 | 300017499 | Pasek | Gürtel | Belt |
| 3 | 200000011 | Ležaj | Lager | Bearing |

4. Zavorni pas / Bremsband / Brake Belt



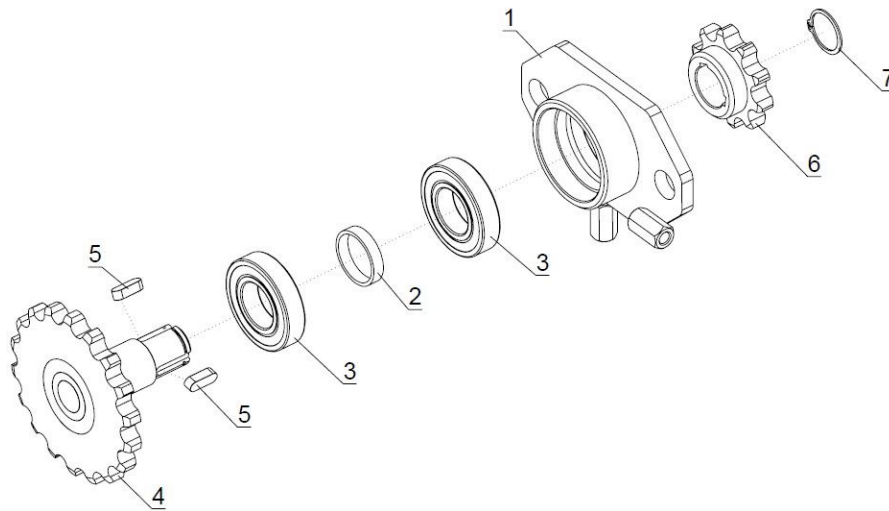
| 300018257 Zavorni pas | | | Bremsband | Brake Belt |
|-----------------------|------------|------------------|---------------------|-----------------------------|
| Poz. | Šifra/Code | Opis | DE | EN |
| 1 | 300017590 | Zavorni pas | Bremsband | Brake Belt |
| 2 | 300006920 | Zategovalec pasa | Gurtstraffer Gesch. | Brake Band Tensioner Welded |
| 3 | 300017436 | Ekscenter | Exzenter | Excentre |
| 4 | 200000509 | Matica | Mutter | Nut |
| 5 | 300006938 | Zatič | Stift | Pin |
| 6 | 300018153 | Kolenc | Bügel | Ratchet |
| 7 | 200000721 | Vzmet | Feder | Spring |
| 8 | 300011188 | Cev | Rohr | Pipe |
| 9 | 300006912 | Podložka | Unterlegscheibe | Washer |
| 10 | 300017492 | Sornik | Bolzen | Pin |
| 11 | 200008334 | Varovalo | Sicherung | Protection |
| 12 | 200000548 | Podložka | Unterlegscheibe | Washer |
| 13 | 200001309 | Matica | Mutter | Nut |

5. Pogon zgornji / Antrieb oben / Drive upper



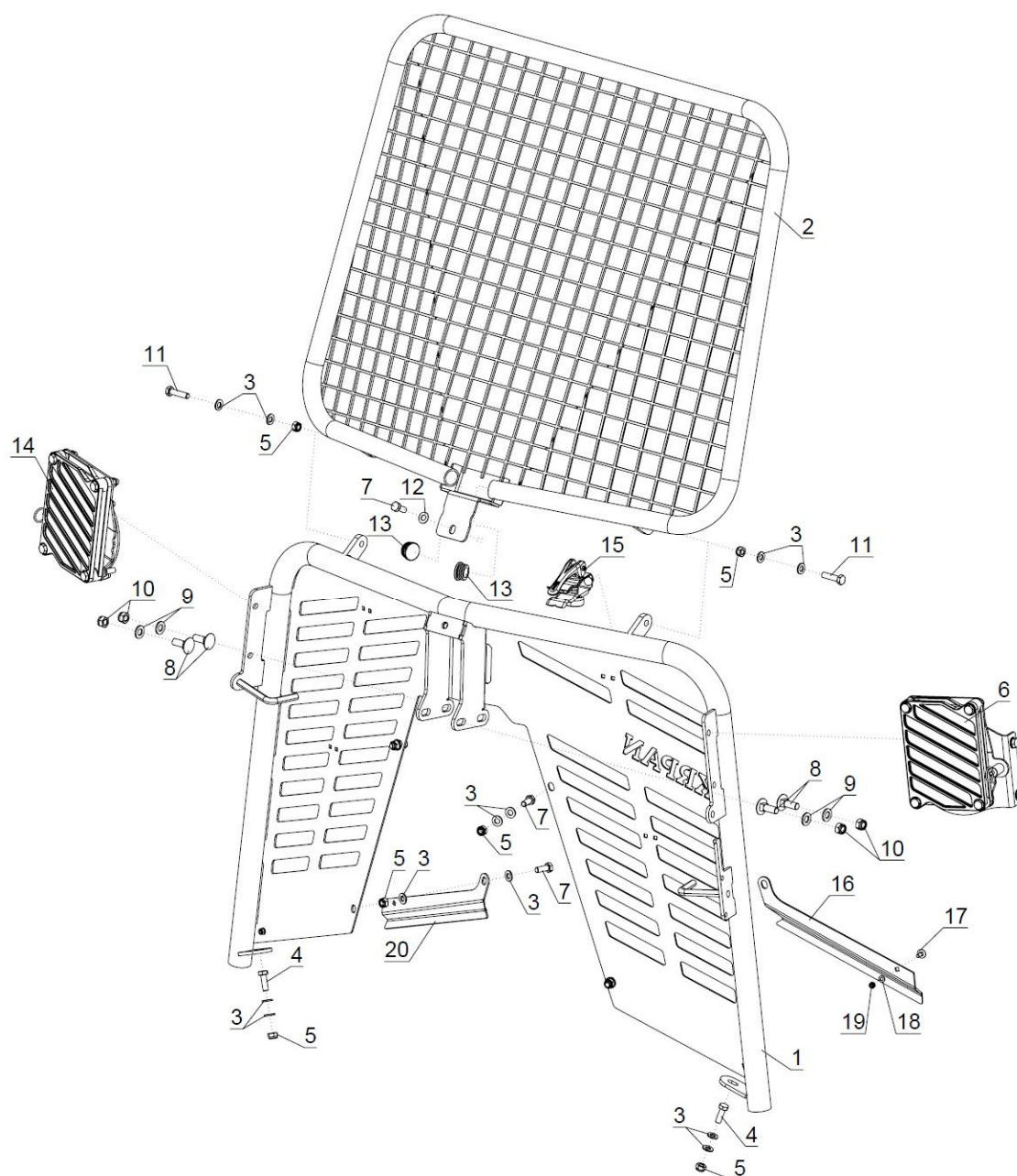
| 300019035 Pogon zgornji | | | Antrieb oben | Drive upper |
|-------------------------|------------|----------------|-----------------|-------------|
| Poz. | Šifra/Code | Opis | DE | EN |
| 1 | 300017581 | Ohišje | Gehäuse | Housing |
| 2 | 300006947 | Distančnik | Abstandhalter | Spacer |
| 3 | 200000009 | Ležaj | Lager | Bearing |
| 4 | 200000006 | Podložka | Unterlegscheibe | Washer |
| 5 | 200001588 | Matica | Mutter | Nut |
| 6 | 300018316 | Kardanska gred | Kardanwelle | PTO Shaft |

6. Pogon spodnji / Antrieb unten / Drive lower



| 300017589 Pogon spodnji | | | Antrieb unten | Drive lower |
|-------------------------|------------|------------|----------------|-------------|
| Poz. | Šifra/Code | Opis | DE | EN |
| 1 | 300017582 | Ohišje | Gehäuse | Housing |
| 2 | 300006947 | Distančnik | Abstandhalter | Spacer |
| 3 | 200000009 | Ležaj | Lager | Bearing |
| 4 | 300008474 | Gred | Welle | Shaft |
| 5 | 200001692 | Moznik | Dübel | Dowel |
| 6 | 300007175 | Verižnik | Kettenrad | Chain Wheel |
| 7 | 200000591 | Vskočnik | Sicherungsring | Circlip |

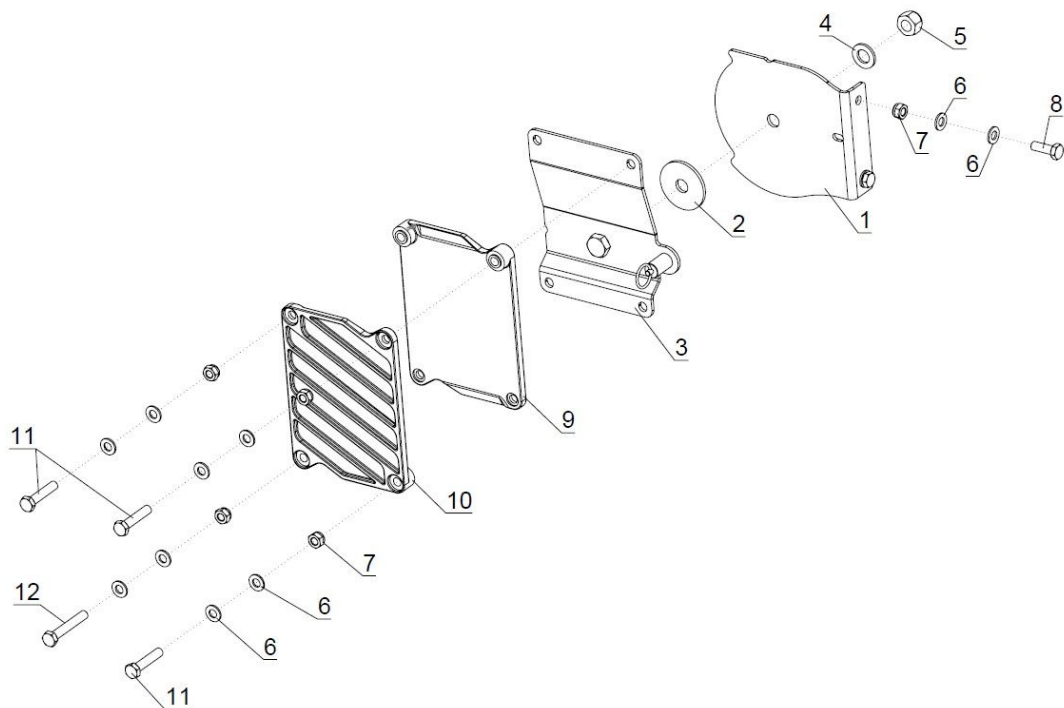
7. Zaščitna mreža / Schutzgitter / Safety Guard



| 300017597 Zaščitna mreža | | | Schutzgitter | Safety Guard |
|--------------------------|------------|------------------------|----------------------|-------------------|
| Poz. | Šifra/Code | Opis | DE | EN |
| 1 | 300017565 | Zaščitna mreža | Schutzgitter | Safety Guard |
| 2 | 300017569 | Zaščitna mreža | Schutzgitter | Safety Guard |
| 3 | 200000545 | Podložka | Unterlegscheibe | Washer |
| 4 | 200000385 | Vijak | Schraube | Screw |
| 5 | 200000506 | Matica | Mutter | Nut |
| 6 | 300025275 | Nosilec motorne žage L | Motorsägehalterung L | Chainsaw Holder L |
| 7 | 200000381 | Vijak | Schraube | Screw |
| 8 | 200000416 | Vijak | Schraube | Screw |
| 9 | 200000548 | Podložka | Unterlegscheibe | Washer |
| 10 | 200000510 | Matica | Mutter | Nut |
| 11 | 200000388 | Vijak | Schraube | Screw |
| 12 | 200005434 | Podložka | Unterlegscheibe | Washer |
| 13 | 200009609 | Čep | Zapfen | Plug |
| 14 | 300025274 | Nosilec motorne žage D | Motorsägehalterung R | Chainsaw Holder R |

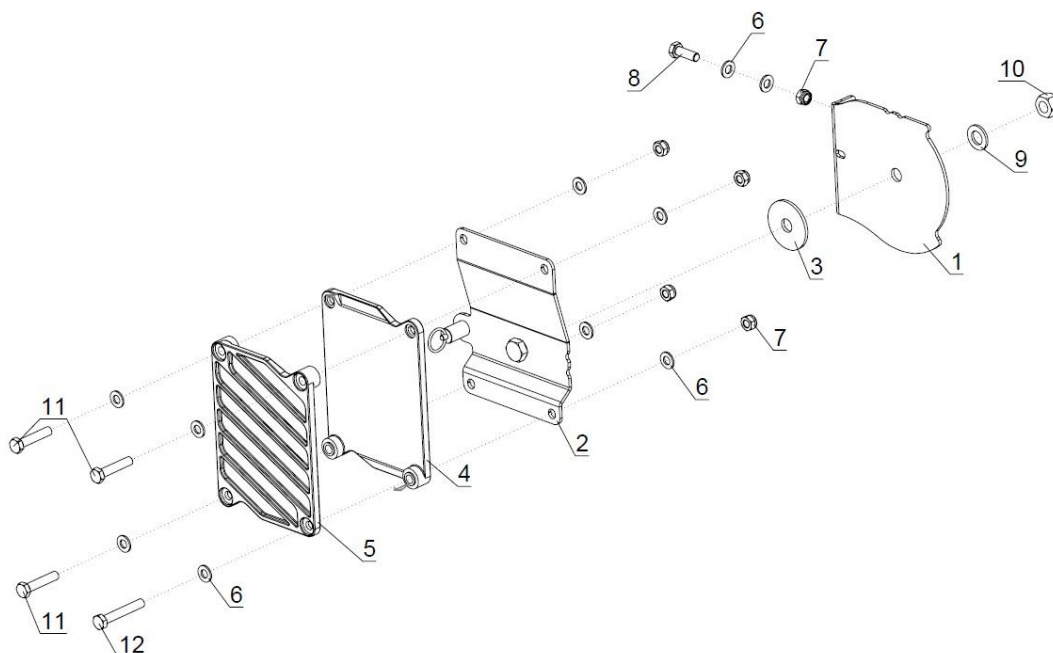
| | | | | |
|----|-----------|------------------|-----------------|-----------------|
| 15 | 300018181 | Nosilec kanistra | Kanisterhalter | Canister holder |
| 16 | 300020653 | Pokrov L | Deckel L | Cover L |
| 17 | 200005135 | Vijak | Schraube | Screw |
| 18 | 200000536 | Podložka | Unterlegscheibe | Washer |
| 19 | 200000500 | Matica | Mutter | Nut |
| 20 | 300020651 | Pokrov D | Deckel R | Cover R |

7.1 Nosilec motorne žage L / Motorsägehalterung L / Chainsaw Holder L



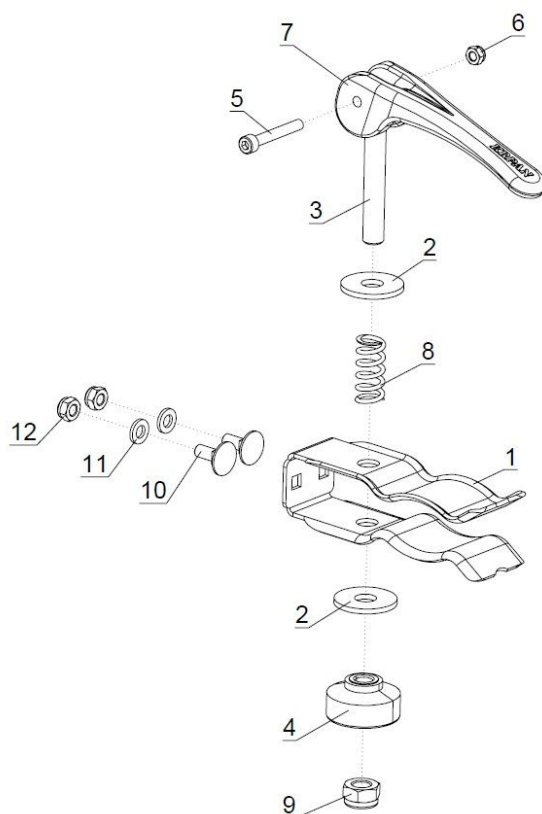
| 300025275 Nosilec motorne žage L | | | Motorsägehalterung L | Chainsaw Holder L |
|----------------------------------|------------|------------|----------------------|-------------------|
| Poz. | Šifra/Code | Opis | DE | EN |
| 1 | 300025267 | Nosilec L | Träger L | Holder L |
| 2 | 300017572 | Podložka | Unterlegscheibe | Washer |
| 3 | 300025273 | Plošča L | Platte L | Plate L |
| 4 | 200000555 | Podložka | Unterlegscheibe | Washer |
| 5 | 200004158 | Matica | Mutter | Nut |
| 6 | 200000545 | Podložka | Unterlegscheibe | Washer |
| 7 | 200000506 | Matica | Mutter | Nut |
| 8 | 200000385 | Vijak | Schraube | Screw |
| 9 | 200009837 | Nosilec I | Träger I | Holder I |
| 10 | 200009838 | Nosilec II | Träger II | Holder II |
| 11 | 200000392 | Vijak | Schraube | Screw |
| 12 | 200000399 | Vijak | Schraube | Screw |

7.2 Nosilec motorne žage D / Motorsägehalterung R / Chainsaw Holder R



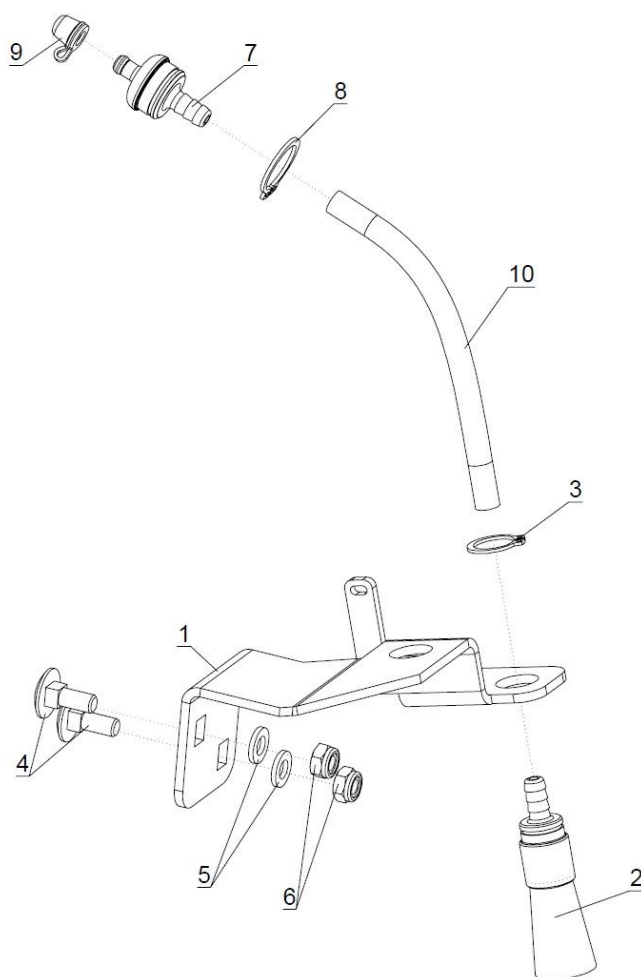
| 300025274 Nosilec motorne žage D | | | Motorsägehalterung R | Chainsaw Holder R |
|----------------------------------|------------|------------|----------------------|-------------------|
| Poz. | Šifra/Code | Opis | DE | EN |
| 1 | 300025265 | Nosilec D | Träger R | Holder R |
| 2 | 300025271 | Plošča D | Platte R | Plate R |
| 3 | 300017572 | Podložka | Unterlegscheibe | Washer |
| 4 | 200009837 | Nosilec I | Träger I | Holder I |
| 5 | 200009838 | Nosilec II | Träger II | Holder II |
| 6 | 200000545 | Podložka | Unterlegscheibe | Washer |
| 7 | 200000506 | Matica | Mutter | Nut |
| 8 | 200000385 | Vijak | Schraube | Screw |
| 9 | 200000555 | Podložka | Unterlegscheibe | Washer |
| 10 | 200004158 | Matica | Mutter | Nut |
| 11 | 200000392 | Vijak | Schraube | Screw |
| 12 | 200000399 | Vijak | Schraube | Screw |

7.3 Nosilec kanistra / Kanisterhalter / Canister holder



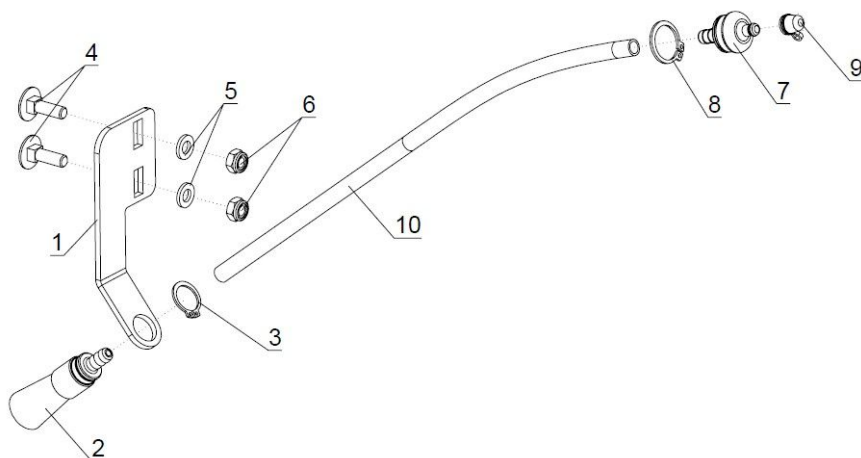
| 300018181 Nosilec kanistra | | | Kanisterhalter | Canister holder |
|----------------------------|------------|----------|-----------------|-----------------|
| Poz. | Šifra/Code | Opis | DE | EN |
| 1 | 300018178 | Nosilec | Träger | Holder |
| 2 | 200000546 | Podložka | Unterlegscheibe | Washer |
| 3 | 300017796 | Sornik | Bolzen | Pin |
| 4 | 200008539 | Matica | Mutter | Nut |
| 5 | 200000339 | Vijak | Schraube | Screw |
| 6 | 200000517 | Matica | Mutter | Nut |
| 7 | 200009834 | Ročica | Hebel | Lever |
| 8 | 200001311 | Vzmet | Feder | Spring |
| 9 | 200000506 | Matica | Mutter | Nut |
| 10 | 200005135 | Vijak | Schraube | Screw |
| 11 | 200000536 | Podložka | Unterlegscheibe | Washer |
| 12 | 200000500 | Matica | Mutter | Nut |

8. Mazalni sistem I / Schmiersystem I / Lubrication system I



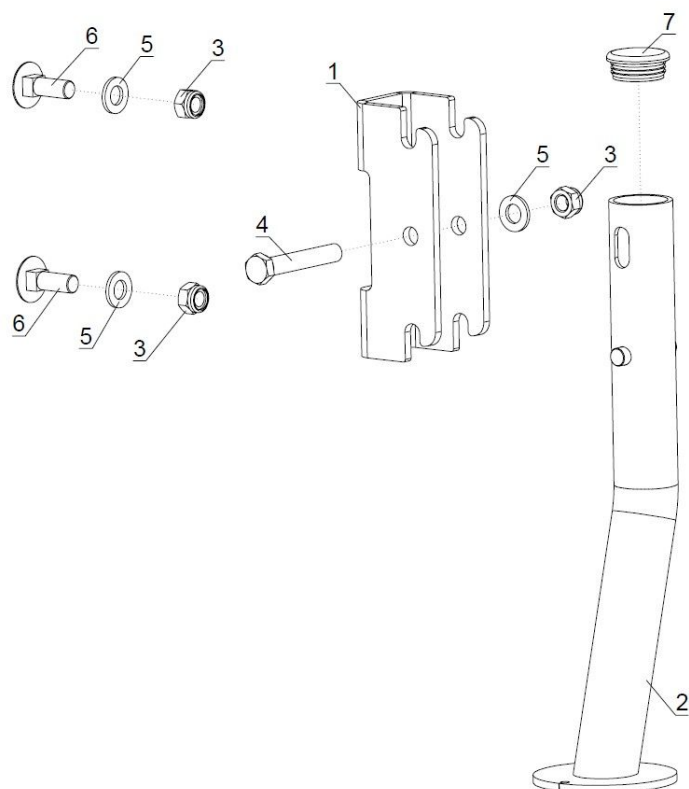
| 300017560 Mazalni sistem I | | | Schmiersystem I | Lubrication system I |
|----------------------------|------------|---------------------|------------------------|-----------------------|
| Poz. | Šifra/Code | Opis | DE | EN |
| 1 | 300017420 | Nosilec | Träger | Holder |
| 2 | 200008960 | Mazalna ščetka | Schmierbürste | Lubrication brush |
| 3 | 200006431 | Vskočnik | Sicherungsring | Circlip |
| 4 | 200005135 | Vijak | Schraube | Screw |
| 5 | 200000536 | Podložka | Unterlegscheibe | Washer |
| 6 | 200000500 | Matica | Mutter | Nut |
| 7 | 300017493 | Sedež mazanja | Schmiersitz | Lubrication seat |
| 8 | 200005581 | Vskočnik | Sicherungsring | Circlip |
| 9 | 200012153 | Pokrov | Deckel | Cover |
| 10 | 200006165 | Mazalna cevka l=130 | Lubrication tube l=130 | Schmierschlauch l=130 |

9. Mazalni sistem II / Schmierystem II / Lubrication system II



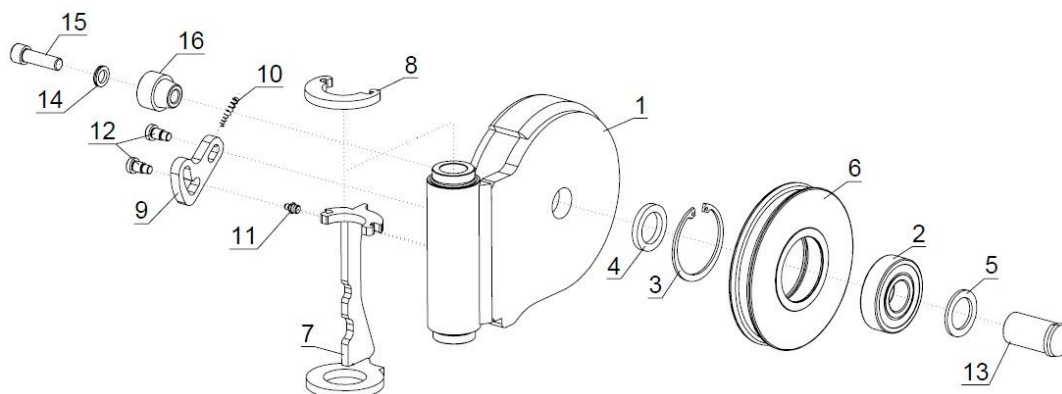
| 300017561 Mazalni sistem II | | | Schmierystem II | Lubrication system II |
|-----------------------------|------------|---------------------|------------------------|-----------------------|
| Poz. | Šifra/Code | Opis | DE | EN |
| 1 | 300017421 | Nosilec | Träger | Holder |
| 2 | 200008960 | Mazalna ščetka | Schmierbürste | Lubrication brush |
| 3 | 200006431 | Vskočnik | Sicherungsring | Circlip |
| 4 | 200002610 | Vijak | Schraube | Screw |
| 5 | 200000536 | Podložka | Unterlegscheibe | Washer |
| 6 | 200000500 | Matica | Mutter | Nut |
| 7 | 300017493 | Sedež mazanja | Schmiersitz | Lubrication seat |
| 8 | 200005581 | Vskočnik | Sicherungsring | Circlip |
| 9 | 200012153 | Pokrov | Deckel | Cover |
| 10 | 200006165 | Mazalna cevka l=280 | Lubrication tube l=280 | Schmierschlauch l=280 |

10.Podporna noga / Stüzfuss / Support Leg



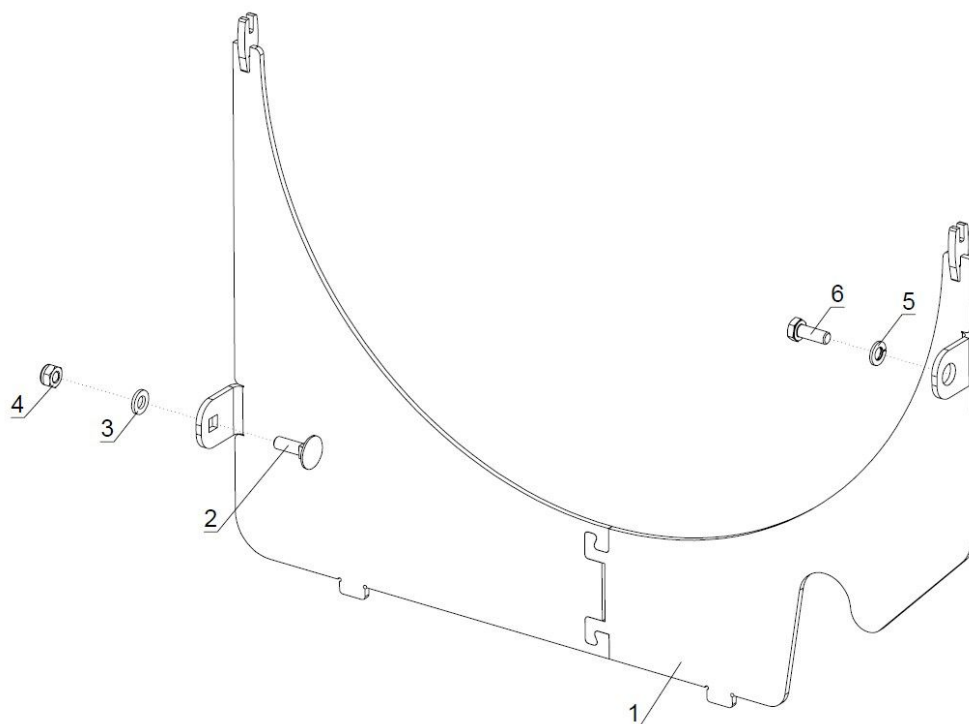
| 300017549 Podporna noga | | | Stüzfuss | Support Leg |
|-------------------------|------------|---------------|-----------------|-------------|
| Poz. | Šifra/Code | Opis | DE | EN |
| 1 | 300017406 | Nosilec | Träger | Holder |
| 2 | 300017548 | Podporna noga | Stüzfuss | Support Leg |
| 3 | 200000510 | Matica | Mutter | Nut |
| 4 | 200000430 | Vijak | Schraube | Screw |
| 5 | 200000548 | Podložka | Unterlegscheibe | Washer |
| 6 | 200000416 | Vijak | Schraube | Screw |
| 7 | 200001875 | Čep | Zapfen | Plug |

11. Spodnji škripec / Untere Umlenkrolle / Bottom winch pulley



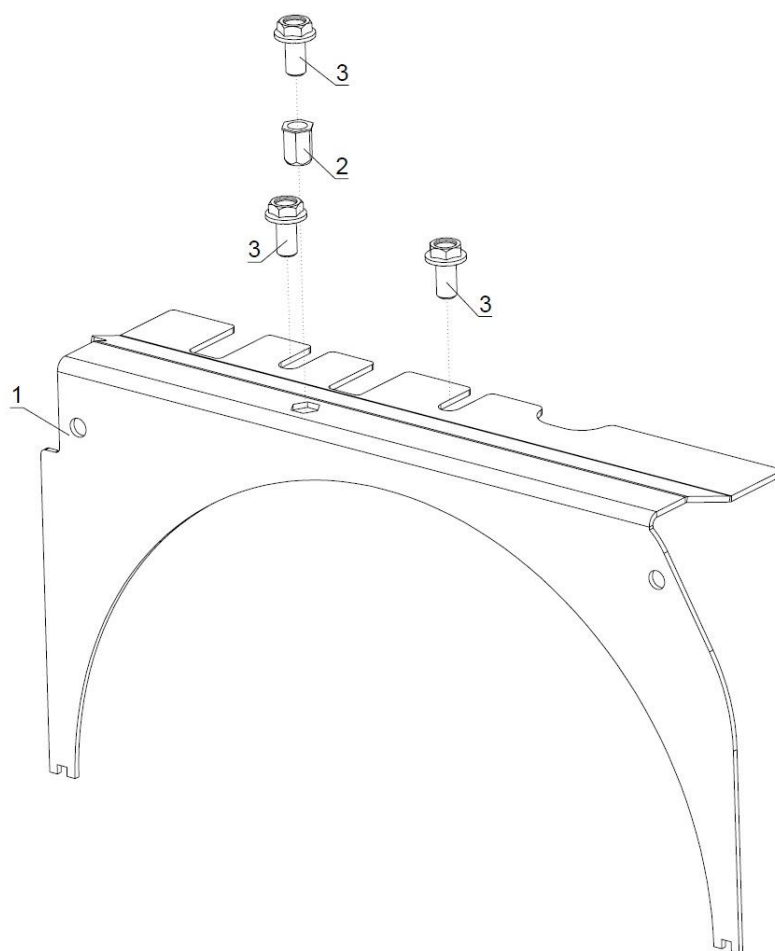
| 300017559 Spodnji škripec | | | Untere Umlenkrolle | Bottom winch pulley |
|---------------------------|------------|--------------------|--------------------|---------------------|
| Poz. | Šifra/Code | Opis | DE | EN |
| 1 | 300017558 | Ohišje | Gehäuse | Housing |
| 2 | 200000010 | Ležaj | Lager | Bearing |
| 3 | 200000593 | Vskočnik | Sicherungsring | Circlip |
| 4 | 800006949 | Podložka distančna | Distanzscheibe | Washer Spacer |
| 5 | 300009671 | Podložka distančna | Distanzscheibe | Washer Spacer |
| 6 | 300009673 | Vrvenica | Seilrolle | Sheave |
| 7 | 300017555 | Zapiralo | Sperre | Stop |
| 8 | 300017416 | Objemka | Klemme | Buckle |
| 9 | 300017451 | Zapiralo | Sperre | Stop |
| 10 | 200009810 | Vzmet | Feder | Spring |
| 11 | 200000602 | Mazalka | Schmiernippel | Lubrication Nipple |
| 12 | 200009269 | Vijak | Schraube | Screw |
| 13 | 300017489 | Sornik | Bolzen | Pin |
| 14 | 200003777 | Podložka | Unterlegscheibe | Washer |
| 15 | 200003164 | Vijak | Schraube | Screw |
| 16 | 300017488 | Puša | Büchse | Bushing |

12. Zaščita I / Schutz I / Protection I



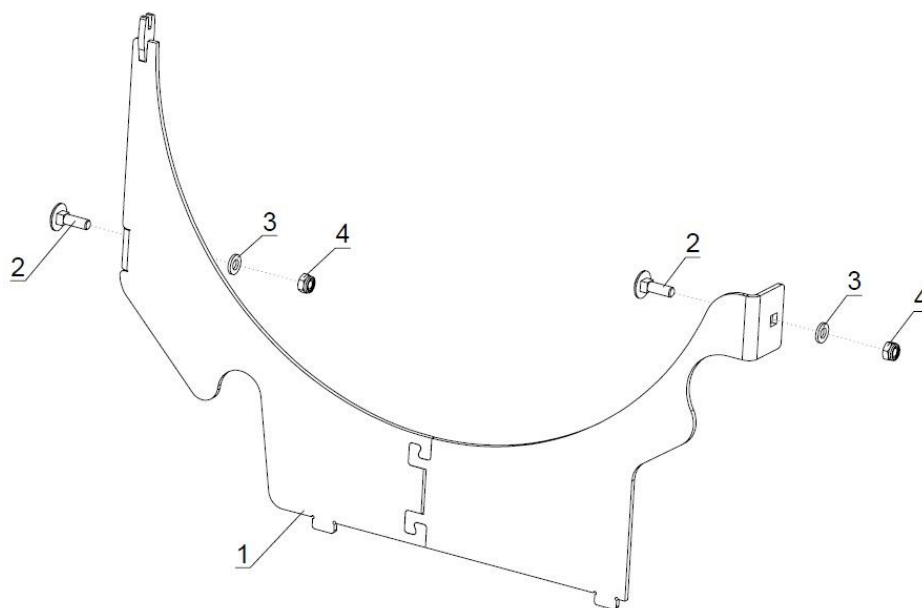
| 300019966 Zaščita I | | | Schutz I | Protection I |
|---------------------|------------|----------|-----------------|--------------|
| Poz. | Šifra/Code | Opis | DE | EN |
| 1 | 300017524 | Zaščita | Schutz | Protection |
| 2 | 200002610 | Vijak | Schraube | Screw |
| 3 | 200000536 | Podložka | Unterlegscheibe | Washer |
| 4 | 200000500 | Matica | Mutter | Nut |
| 5 | 200000538 | Podložka | Unterlegscheibe | Washer |
| 6 | 200002642 | Vijak | Schraube | Screw |

13. Zaščita II / Schutz II / Protection II



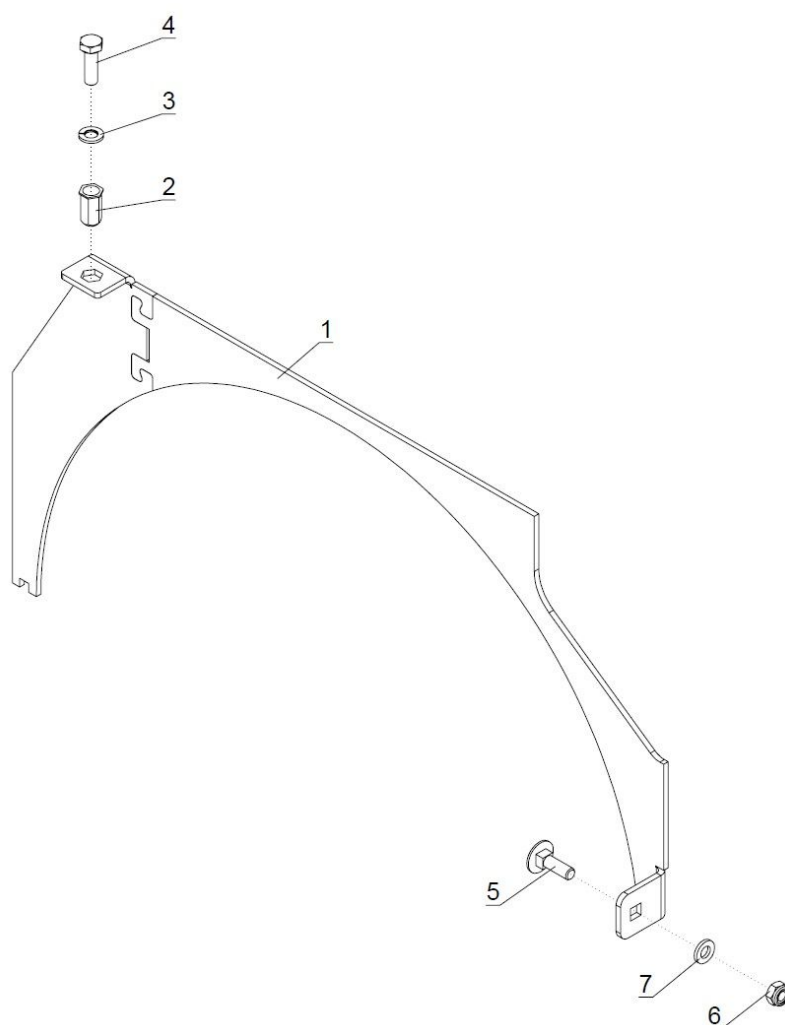
| 300019965 Zaščita II | | | Schutz II | Protection II |
|----------------------|------------|---------|-----------|---------------|
| Poz. | Šifra/Code | Opis | DE | EN |
| 1 | 300017375 | Zaščita | Schutz | Protection |
| 2 | 200009102 | Matica | Mutter | Nut |
| 3 | 200009040 | Vijak | Schraube | Screw |

14. Zaščita III / Schutz III / Protection III



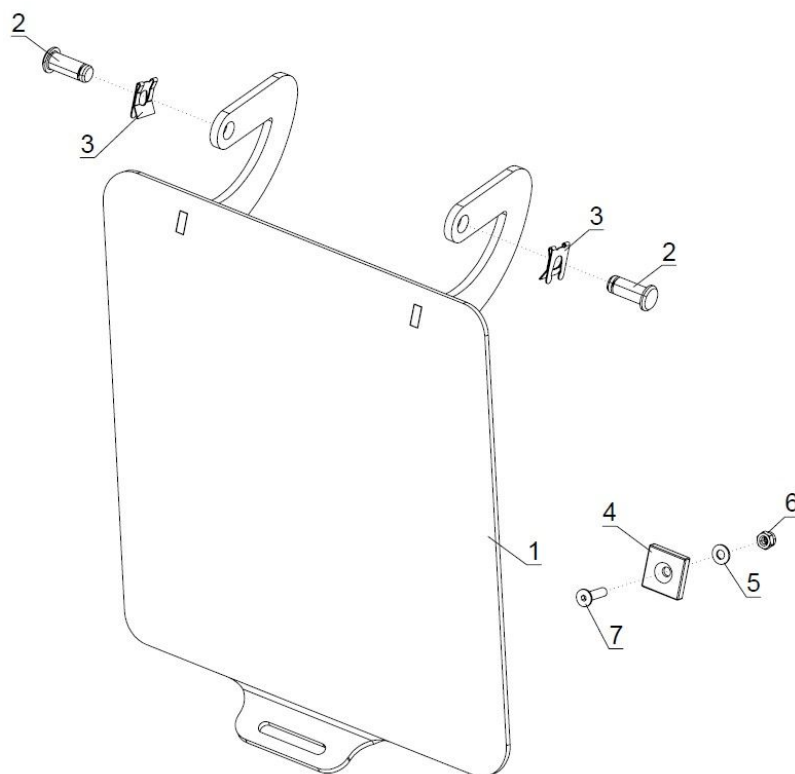
| 300019964 Zaščita III | | | Schutz III | Protection III |
|-----------------------|------------|----------|-----------------|----------------|
| Poz. | Šifra/Code | Opis | DE | EN |
| 1 | 300017522 | Zaščita | Schutz | Protection |
| 2 | 200002610 | Vijak | Schraube | Screw |
| 3 | 200000536 | Podložka | Unterlegscheibe | Washer |
| 4 | 200000500 | Matica | Mutter | Nut |

15. Zaščita IV / Schutz IV / Protection IV



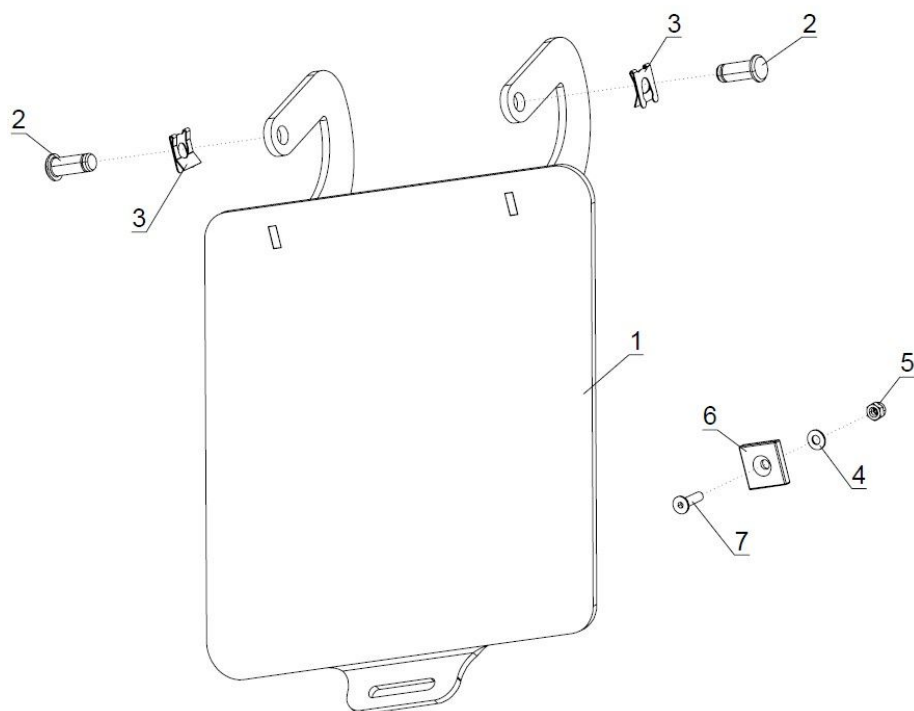
| 300019963 Zaščita IV | | | Schutz IV | Protection IV |
|----------------------|------------|----------|-----------------|---------------|
| Poz. | Šifra/Code | Opis | DE | EN |
| 1 | 300017520 | Zaščita | Schutz | Protection |
| 2 | 200009099 | Matica | Mutter | Nut |
| 3 | 200000538 | Podložka | Unterlegscheibe | Washer |
| 4 | 200000348 | Vijak | Schraube | Screw |
| 5 | 200002610 | Vijak | Schraube | Screw |
| 6 | 200000500 | Matica | Mutter | Nut |
| 7 | 200000536 | Podložka | Unterlegscheibe | Washer |

16. Pokrov zaboja L / Kastendeckel L / Box Cover L



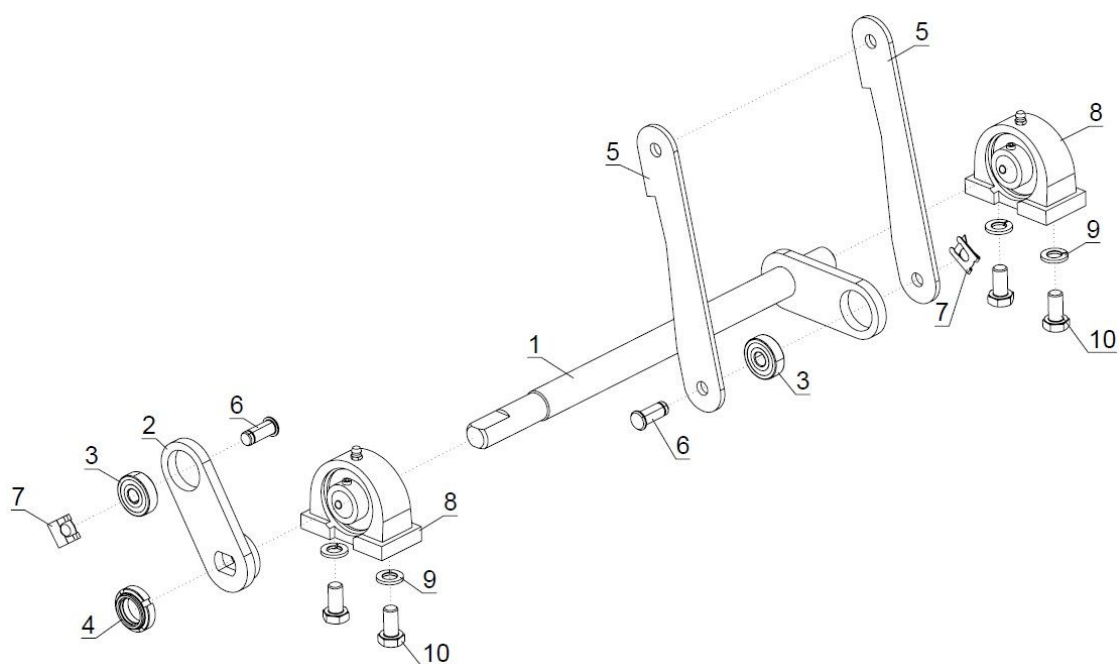
| 300019117 Pokrov zaboja L | | | Kastendeckel L | Box Cover L |
|---------------------------|------------|----------|-----------------|-------------|
| Poz. | Šifra/Code | Opis | DE | EN |
| 1 | 300018222 | Pokrov | Deckel | Cover |
| 2 | 200010078 | Sornik | Bolzen | Pin |
| 3 | 200010076 | Varovalo | Sicherung | Protection |
| 4 | 200009638 | Magnet | Magnet | Magnet |
| 5 | 200003185 | Podložka | Unterlegscheibe | Washer |
| 6 | 200004812 | Matica | Mutter | Nut |
| 7 | 200008733 | Vijak | Schraube | Screw |

17. Pokrov zaboja D / Kastendeckel R / Box Cover R



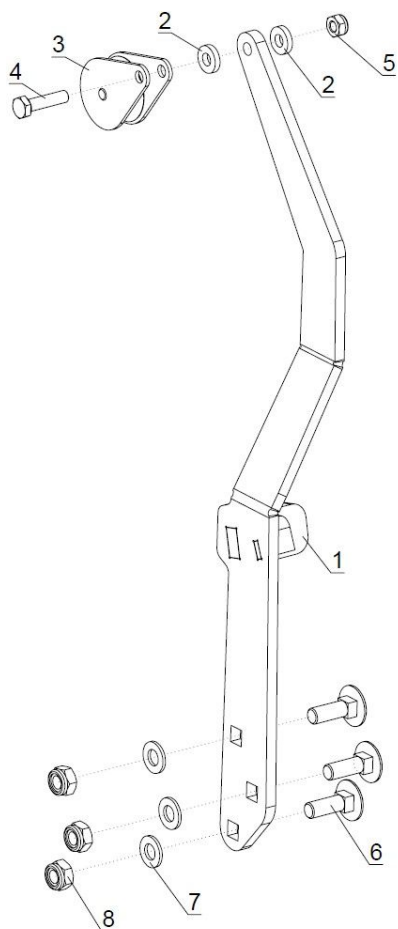
| 300019481 Pokrov zaboja D | | | Kastendeckel R | Box Cover R |
|---------------------------|------------|----------|-----------------|-------------|
| Poz. | Šifra/Code | Opis | DE | EN |
| 1 | 300018224 | Pokrov | Deckel | Cover |
| 2 | 200010078 | Sornik | Bolzen | Pin |
| 3 | 200010076 | Varovalo | Sicherung | Protection |
| 4 | 200003185 | Podložka | Unterlegscheibe | Washer |
| 5 | 200004812 | Matica | Mutter | Nut |
| 6 | 200009638 | Magnet | Magnet | Magnet |
| 7 | 200008733 | Vijak | Schraube | Screw |

18. Vzvodovje sklopke / Kupplungsmechanismus / Clutch mechanism



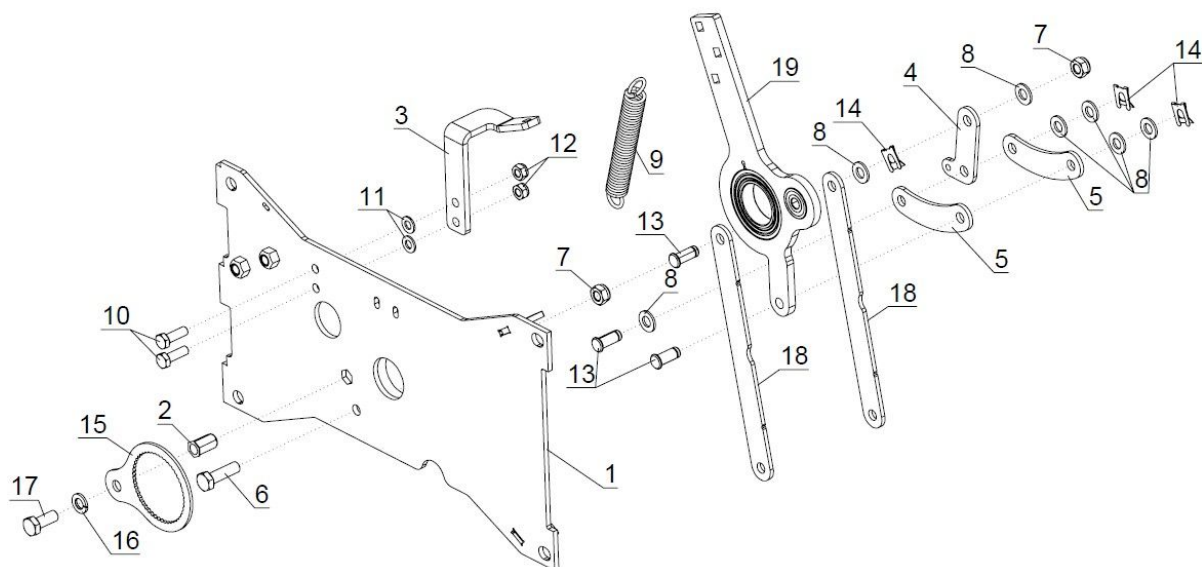
| 300018234 Vzvodovje sklopke | | | Kupplungsmechanismus | Clutch mechanism |
|-----------------------------|------------|----------|----------------------|------------------|
| Poz. | Šifra/Code | Opis | DE | EN |
| 1 | 300018229 | Gred | Welle | Shaft |
| 2 | 300018232 | Vzvod | Hebel | Lever |
| 3 | 200008016 | Ležaj | Lager | Bearing |
| 4 | 200003205 | Matica | Mutter | Nut |
| 5 | 300018233 | Povezava | Verbindung | Connection |
| 6 | 200008333 | Sornik | Bolzen | Pin |
| 7 | 200008334 | Varovalo | Sicherung | Protection |
| 8 | 200008288 | Ležaj | Lager | Bearing |
| 9 | 200000547 | Podložka | Unterlegscheibe | Washer |
| 10 | 200000380 | Vijak | Schraube | Screw |

19. Vzvod sklopke / Kupplungshebel / Clutch lever



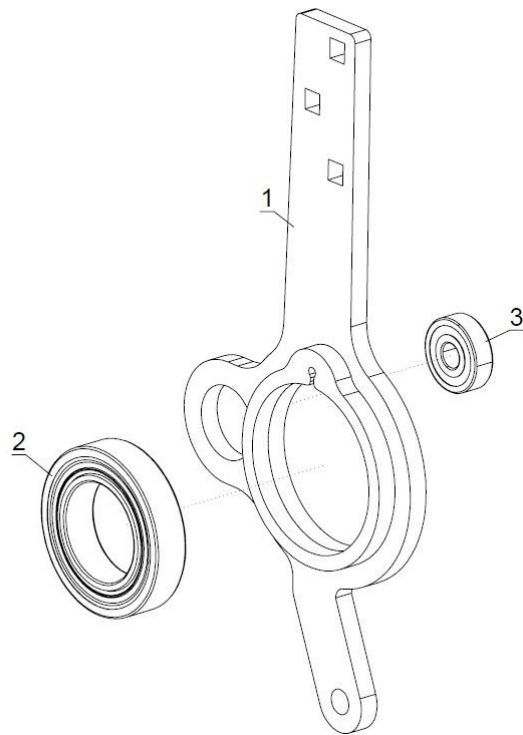
| 300019969 Vzvod sklopke | | | Kupplungshebel | Clutch lever |
|-------------------------|------------|----------|-----------------|--------------|
| Poz. | Šifra/Code | Opis | DE | EN |
| 1 | 300018251 | Vzvod | Hebel | Lever |
| 2 | 300019551 | Podložka | Unterlegscheibe | Washer |
| 3 | 200009815 | Škripec | Windenrolle | Winch pulley |
| 4 | 200003600 | Vijak | Schraube | Screw |
| 5 | 200000500 | Matica | Mutter | Nut |
| 6 | 200002234 | Vijak | Schraube | Screw |
| 7 | 200000540 | Podložka | Unterlegscheibe | Washer |
| 8 | 200000503 | Matica | Mutter | Nut |

20. Pokrov jedra / Kernabdeckung / Core Cover



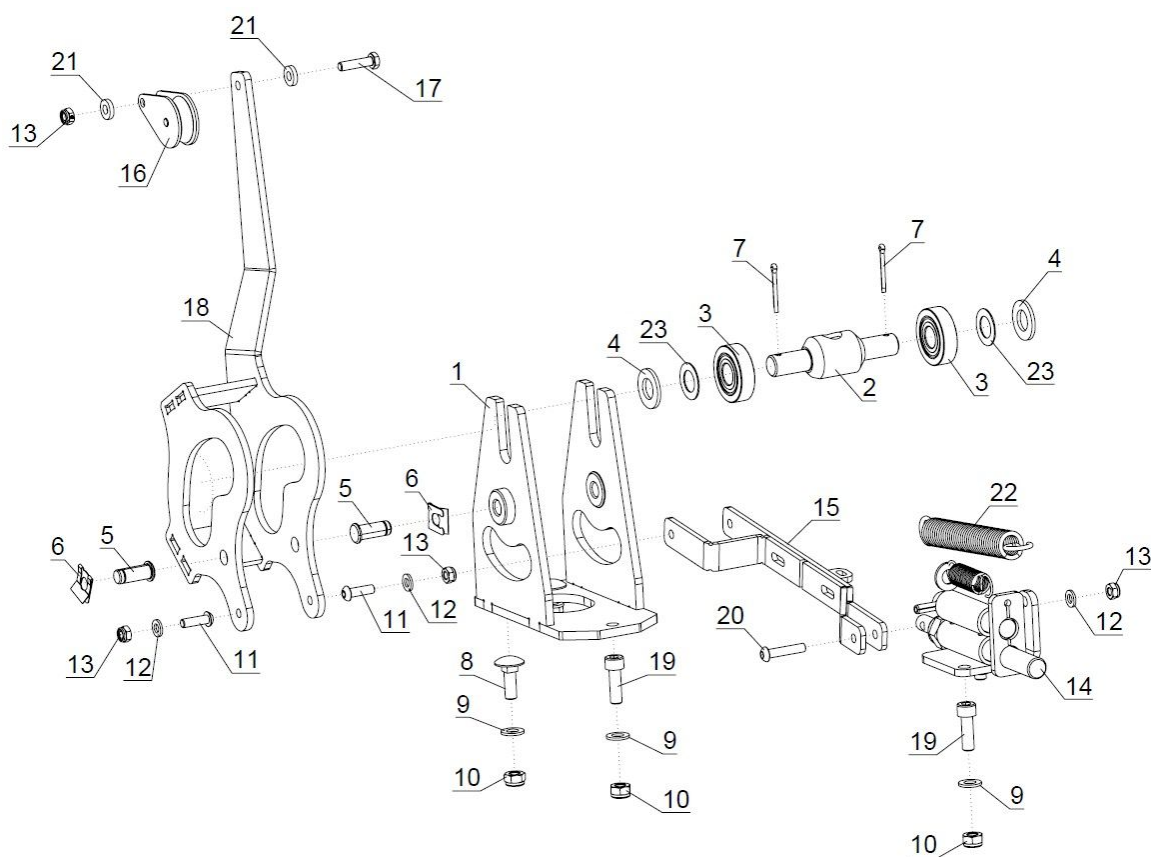
| 300018259 Pokrov jedra | | | Kernabdeckung | Core Cover |
|------------------------|------------|--------------|-----------------|--------------|
| Poz. | Šifra/Code | Opis | DE | EN |
| 1 | 300017547 | Pokrov | Deckel | Cover |
| 2 | 200009103 | Matica | Mutter | Nut |
| 3 | 300018243 | Nosilec | Träger | Holder |
| 4 | 300018239 | Mehanizem I | Mechanismus I | Mechanism I |
| 5 | 300018240 | Mehanizem II | Mechanismus II | Mechanism II |
| 6 | 200000386 | Vijak | Schraube | Screw |
| 7 | 200000506 | Matica | Mutter | Nut |
| 8 | 200000545 | Podložka | Unterlegscheibe | Washer |
| 9 | 200000080 | Vzmet | Feder | Spring |
| 10 | 200000365 | Vijak | Schraube | Screw |
| 11 | 200000540 | Podložka | Unterlegscheibe | Washer |
| 12 | 200000503 | Matica | Mutter | Nut |
| 13 | 200008333 | Sornik | Bolzen | Pin |
| 14 | 200008334 | Varovalo | Sicherung | Protection |
| 15 | 300017411 | Varovalo | Sicherung | Protection |
| 16 | 200000547 | Podložka | Unterlegscheibe | Washer |
| 17 | 200000381 | Vijak | Schraube | Screw |
| 18 | 300018238 | Vzvod | Hebel | Lever |
| 19 | 300018258 | Vzvod I | Hebel I | Lever I |

20.1 Vzvod I / Hebel I / Lever I



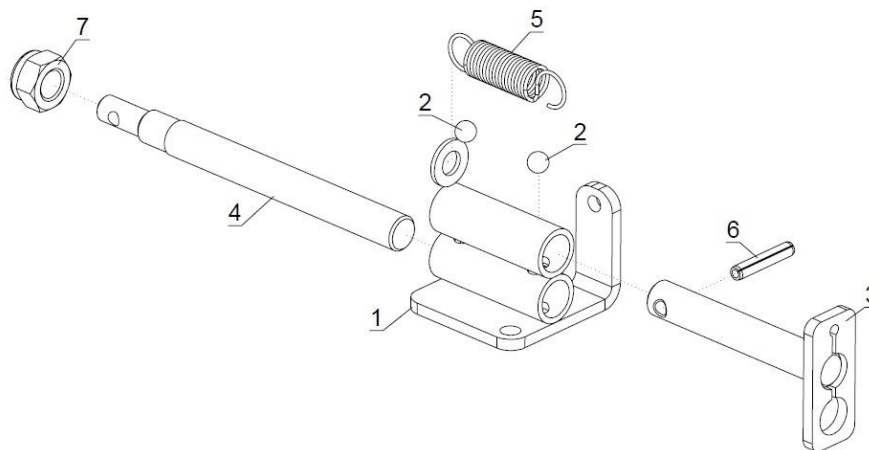
| 300018258 Vzvod I | | | Hebel I | Lever I |
|-------------------|------------|-------|---------|---------|
| Poz. | Šifra/Code | Opis | DE | EN |
| 1 | 300018250 | Vzvod | Hebel | Lever |
| 2 | 200000008 | Ležaj | Lager | Bearing |
| 3 | 200008016 | Ležaj | Lager | Bearing |

21. Mehanizem zavore / Bremsmechanismus / Brake Mechanism



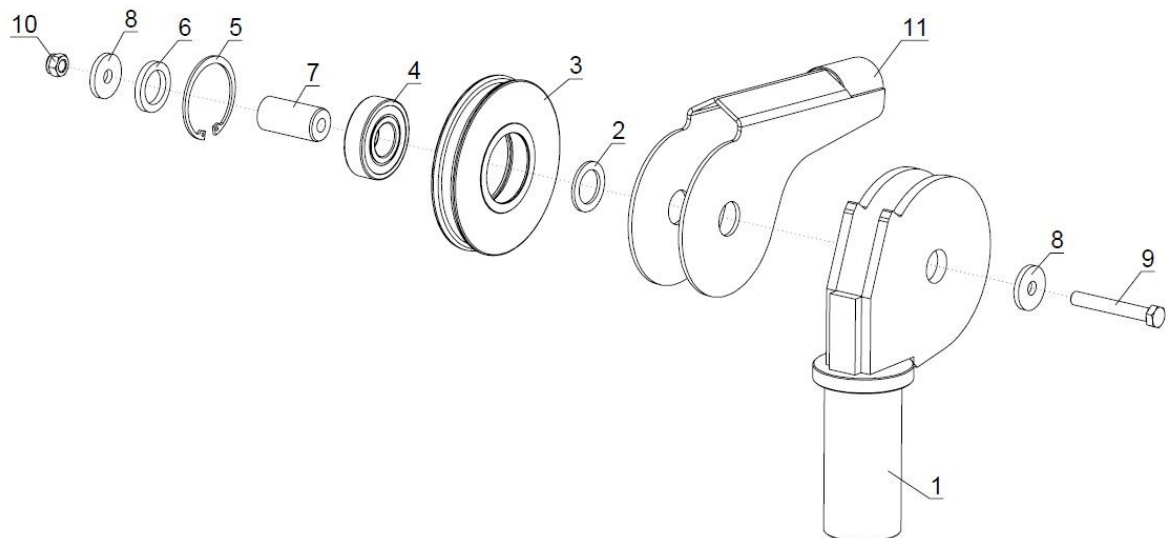
| 300018261 Mehanizem zavore | | | Bremsmechanismus | Brake Mechanism |
|----------------------------|------------|----------|------------------|-----------------|
| Poz. | Šifra/Code | Opis | DE | EN |
| 1 | 300018256 | Ohišje | Gehäuse | Housing |
| 2 | 300018206 | Kolenc | Bügel | Ratchet |
| 3 | 200002103 | Ležaj | Lager | Bearing |
| 4 | 200000552 | Podložka | Unterlegscheibe | Washer |
| 5 | 200008333 | Sornik | Bolzen | Pin |
| 6 | 200008334 | Varovalo | Sicherung | Protection |
| 7 | 200002302 | Razcepka | Splinte | Cotter Pin |
| 8 | 200002234 | Vijak | Schraube | Screw |
| 9 | 200000540 | Podložka | Unterlegscheibe | Washer |
| 10 | 200000503 | Matica | Mutter | Nut |
| 11 | 200002227 | Vijak | Schraube | Screw |
| 12 | 200000536 | Podložka | Unterlegscheibe | Washer |
| 13 | 200000500 | Matica | Mutter | Nut |
| 14 | 300018260 | Avtomat | Automat | Machine |
| 15 | 300018253 | Povezava | Verbindung | Connection |
| 16 | 200009815 | Škripec | Windenrolle | Winch pulley |
| 17 | 200003600 | Vijak | Schraube | Screw |
| 18 | 300019552 | Vzvod | Hebel | Lever |
| 19 | 200000363 | Vijak | Schraube | Screw |
| 20 | 200001799 | Vijak | Schraube | Screw |
| 21 | 300019551 | Podložka | Unterlegscheibe | Washer |
| 22 | 200000080 | Vzmet | Feder | Spring |
| 23 | 300019550 | Podložka | Unterlegscheibe | Washer |

21.1 Avtomat / Automat / Machine



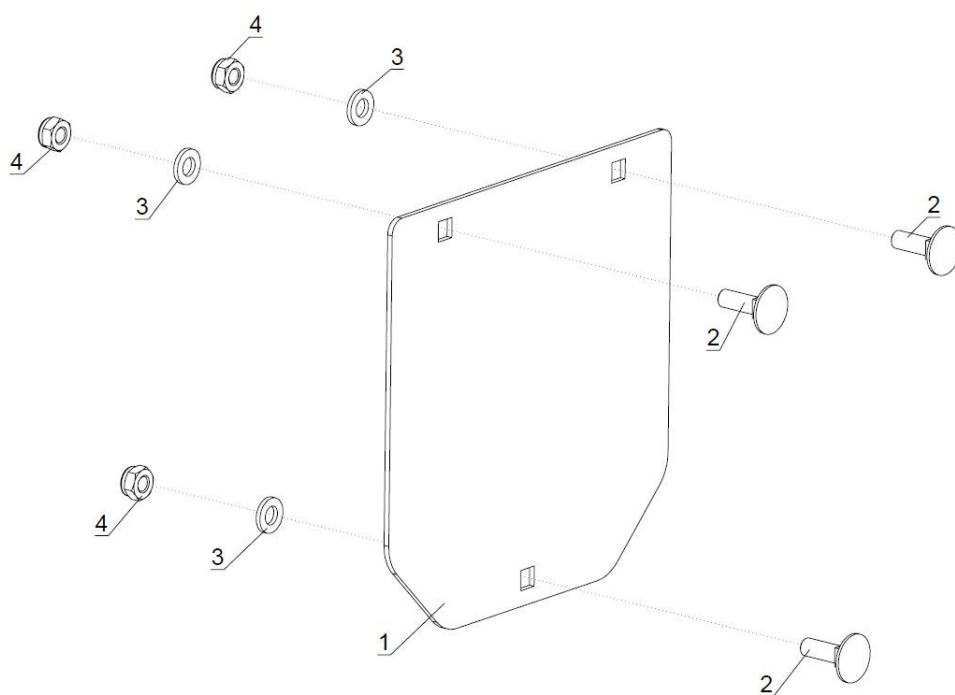
| 300018260 Avtomat | | | Automat | Machine |
|-------------------|------------|------------|------------|------------|
| Poz. | Šifra/Code | Opis | DE | EN |
| 1 | 300018252 | Avtomat I | Automat I | Machine I |
| 2 | 200002530 | Kroglica | Kugel | Ball |
| 3 | 300006900 | Avtomat II | Automat II | Machine II |
| 4 | 300018207 | Sornik | Bolzen | Pin |
| 5 | 200002045 | Vzmet | Feder | Spring |
| 6 | 200000578 | Zatič | Stift | Pin |
| 7 | 200000512 | Matica | Mutter | Nut |

22. Zgornji škripec / Obere umlenkrolle / Upper winch pulley



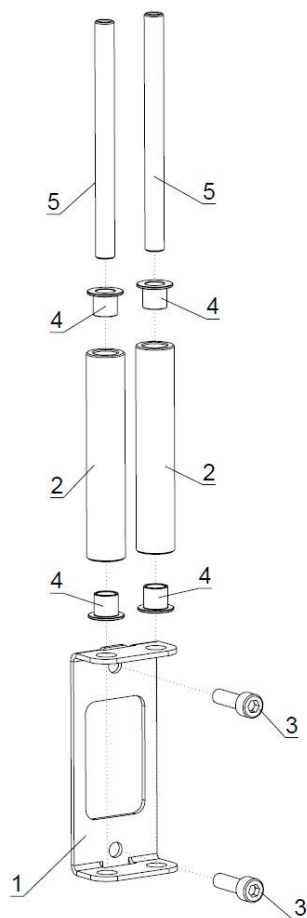
| 300018274 Zgornji škripec | | | Obere umlenkrolle | Upper winch pulley |
|---------------------------|------------|--------------------|-------------------|--------------------|
| Poz. | Šifra/Code | Opis | DE | EN |
| 1 | 300018271 | Ohišje | Gehäuse | Housing |
| 2 | 300009671 | Podložka distančna | Distanzscheibe | Washer Spacer |
| 3 | 300009673 | Vrvenica | Seilrolle | Sheave |
| 4 | 200000010 | Ležaj | Lager | Bearing |
| 5 | 200000593 | Vskočnik | Sicherungsring | Circlip |
| 6 | 800006949 | Podložka distančna | Distanzscheibe | Washer Spacer |
| 7 | 300005914 | Puša | Büchse | Bushing |
| 8 | 300000291 | Podložka | Unterlegscheibe | Washer |
| 9 | 200000433 | Vijak | Schraube | Screw |
| 10 | 200000510 | Matica | Mutter | Nut |
| 11 | 300018273 | Vodilo | Führung | Guide |

23. Zaščita V / Schutz V / Protection V



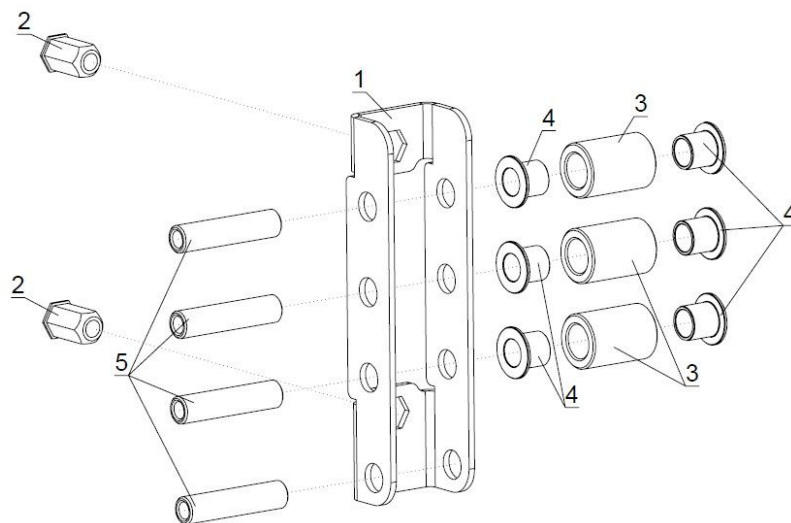
| 300021976 Zaščita V | | | Schutz V | Protection V |
|---------------------|------------|----------|-----------------|--------------|
| Poz. | Šifra/Code | Opis | DE | EN |
| 1 | 300021973 | Zaščita | Schutz | Protection |
| 2 | 200002610 | Vijak | Schraube | Screw |
| 3 | 200000536 | Podložka | Unterlegscheibe | Washer |
| 4 | 200000500 | Matica | Mutter | Nut |

24. Škripec I / Windenrolle I / Winch pulley I



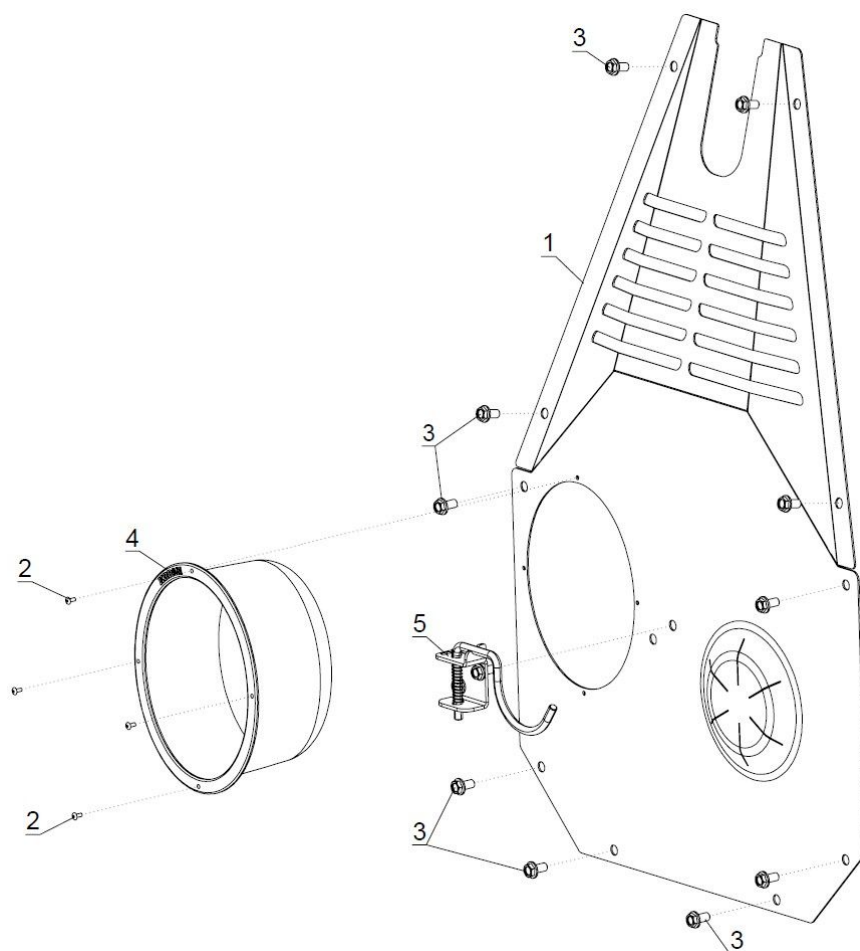
| 300018265 Škripec I | | | Windenrolle I | Winch pulley I |
|---------------------|------------|---------|---------------|----------------|
| Poz. | Šifra/Code | Opis | DE | EN |
| 1 | 300019835 | Ohišje | Gehäuse | Housing |
| 2 | 300019839 | Valjček | Walzen | Roller |
| 3 | 200002641 | Vijak | Schraube | Screw |
| 4 | 200010132 | Puša | Büchse | Bushing |
| 5 | 300019838 | Os | Achse | Axle |

25. Škripec II / Windenrolle II / Winch pulley II



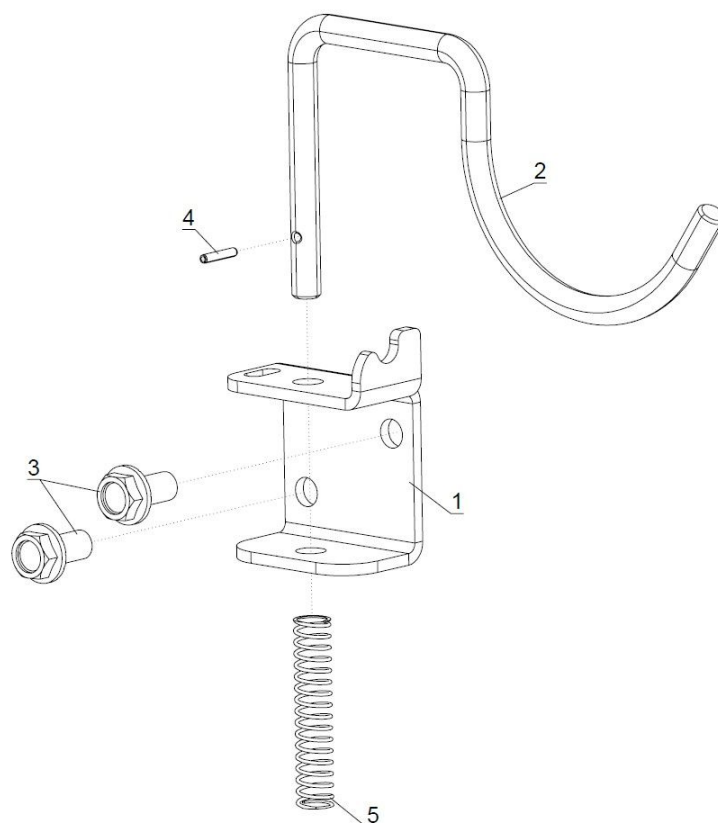
| 300019834 Škripec II | | | Windenrolle II | Winch pulley II |
|----------------------|------------|---------|----------------|-----------------|
| Poz. | Šifra/Code | Opis | DE | EN |
| 1 | 300019756 | Ohišje | Gehäuse | Housing |
| 2 | 200009098 | Matica | Mutter | Nut |
| 3 | 300019836 | Valjček | Walzen | Roller |
| 4 | 200010132 | Puša | Büchse | Bushing |
| 5 | 300019837 | Os | Achse | Axle |

26. Sprednja zaščita / Frontschutz / Front guard



| 300018216 Sprednja zaščita | | | Frontschutz | Front guard |
|----------------------------|------------|-----------------|--------------|------------------|
| Poz. | Šifra/Code | Opis | DE | EN |
| 1 | 300018215 | Zaščita | Schutz | Protection |
| 2 | 200000570 | Kovica | Niet | Rivet |
| 3 | 200009040 | Vijak | Schraube | Screw |
| 4 | 200009835 | Zaščita | Schutz | Protection |
| 5 | 300024899 | Nosilec kardana | Kardanhalter | PTO shaft holder |

26.1 Nosilec kardana / Kardanhalter / PTO shaft holder



| 300024899 Nosilec kardana | | | Kardanhalter | PTO shaft holder |
|---------------------------|------------|---------|--------------|------------------|
| Poz. | Šifra/Code | Opis | DE | EN |
| 1 | 300024894 | Nosilec | Träger | Holder |
| 2 | 300024897 | Nosilec | Träger | Holder |
| 3 | 200009040 | Vijak | Schraube | Screw |
| 4 | 200000576 | Zatič | Stift | Pin |
| 5 | 200009811 | Vzmet | Feder | Spring |